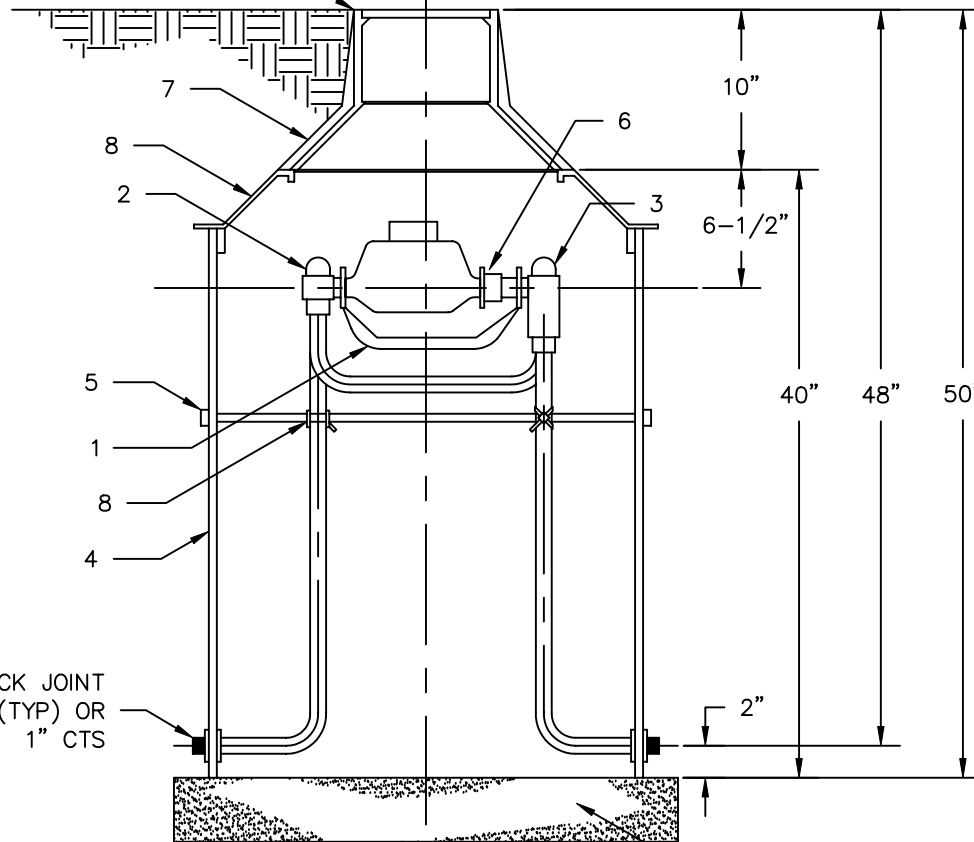


LID FLUSH WITH LAWN/GRASS  
FOR MOWING PURPOSES



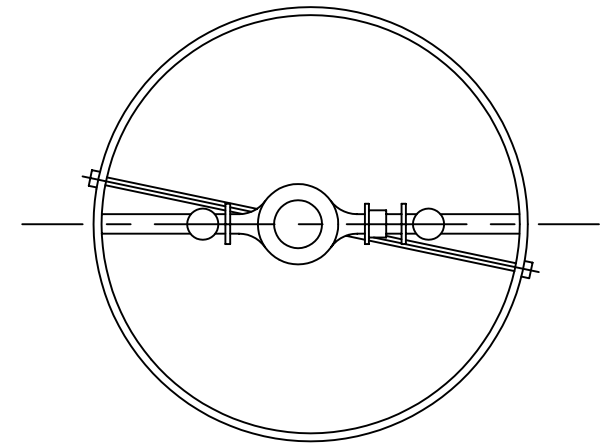
FORD PACK JOINT  
3/4" (TYP) OR  
1" CTS

SAND OR SCREENINGS FOR  
LEVELING - 4" MIN.

ELEVATION

FORD METER BOX COMPANY MATERIALS LIST:

- 1) YOKE BAR; Y502 (5/8" x 3/4")  
Y 503 (3/4")  
Y504 (1")
- 2) INLET BALL VALVE; BA94-323W (5/8" x 3/4" AND 3/4")  
BA94-444W (1")
- 3) OUTLET ANGLE CHECK VALVE; HA 94-323 (5/8" x 3/4"  
AND 3/4") HA 91-444 W/ No. C84-44  
ADAPTER (1")
- 4) POLYVINYL CHLORIDE (PVC) CYLINDER, 20" I.D. x 40" LENGTH
- 5) PVC 1/2" DIA. PIPE WITH TWO (2) END CAPS.
- 6) EXPANSION CONNECTION; EC-23(5/8" x 3/4" AND 3/4")  
EC-4 (1")
- 7) WABASH DOUBLE LID COVER, Cat. No. W3 WITH LOCKING LID.
- 8) NYLON WIRE TIES - 4 REQUIRED



PLAN

METER PIT ASSEMBLY FOR 5/8" x 3/4", 3/4" AND 1" WATER METERS.



**WARMINSTER MUNICIPAL  
AUTHORITY**  
*Water & Sewer Services*

CADD FILE: \\standard\details\water\mp001.dwg		
DATE: 3-27-2000	DRAWN BY: DTN	PAGE: 1 OF: 1
REVISION:	DATE:	BY: