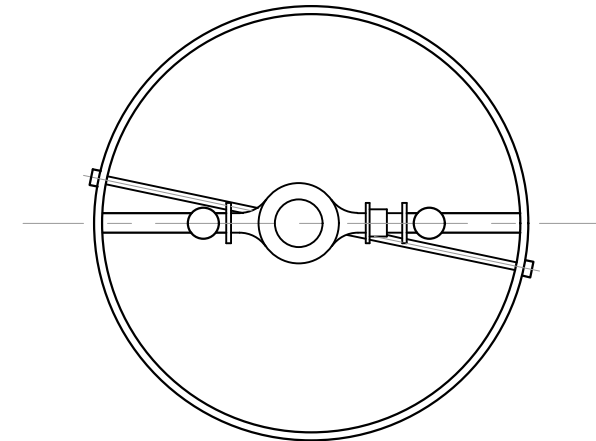


FORD METER BOX COMPANY MATERIALS LIST:

- 1) YOKE BAR; Y502 (5/8" x 3/4")
Y 503 (3/4")
Y504 (1")
- 2) INLET BALL VALVE; BA94-323W (5/8" x 3/4" AND 3/4") BA94-444W (1")
- 3) OUTLET CARTRIDGE STYLE ANGLE DUAL CHECK VALVE; HHCA94-323NL (5/8" x 3/4" AND 3/4") HHCA94-444NL W/ No. C84-44 ADAPTER (1")
- 4) POLYVINYL CHLORIDE (PVC) CYLINDER, 20" I.D. x 40" LENGTH
- 5) PVC 1/2" DIA. PIPE WITH TWO (2) END CAPS.
- 6) EXPANSION CONNECTION; EC-23(5/8" x 3/4" AND 3/4") EC-4 (1")
- 7) WABASH DOUBLE LID COVER, Cat. No. W3 WITH LOCKING LID.
- 8) NYLON WIRE TIES - 4 REQUIRED
- 9) PROVIDE 2" DIA. HOLE IN LID FOR METER ANTENNA.



METER PIT ASSEMBLY FOR 5/8" x 3/4", 3/4" AND 1" WATER METERS.

N.T.S.



CADD FILE:		
Z: Autocad/Warminster Municipal Authority/Client Details/Details/Water/mp001		
DATE: 6-21-2017	DRAWN BY: TNS	PAGE: 1 OF: 1
REVISION:	DATE:	BY:
UPDATE CHECK VALVES	9/15/17	CKS
ADDED HOLE IN LID	8/26/19	CKS