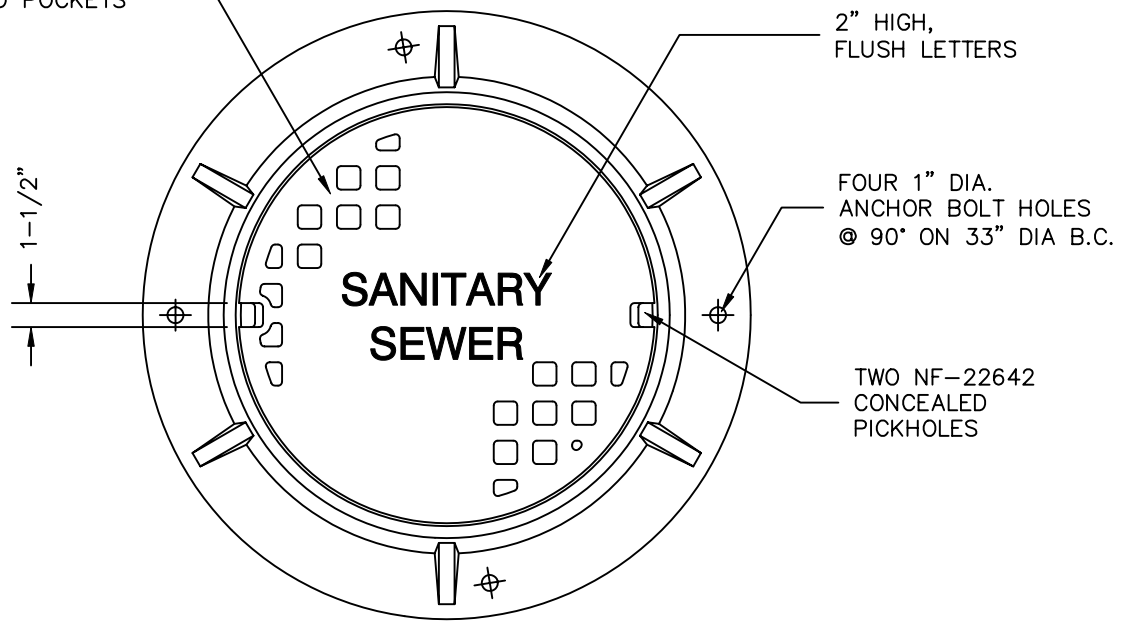


TYPE "B" LID DESIGN
DEPRESSED POCKETS



2" HIGH,
FLUSH LETTERS

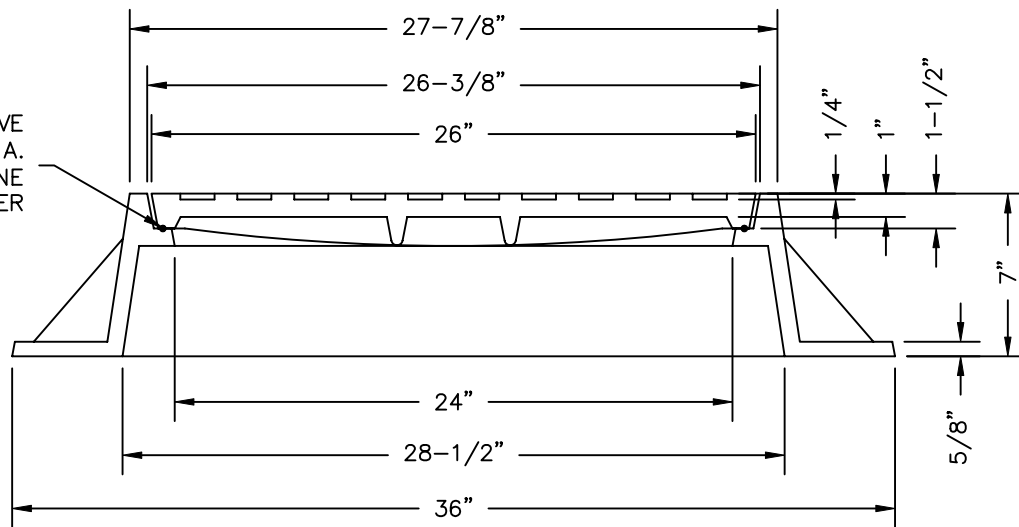
FOUR 1" DIA.
ANCHOR BOLT HOLES
@ 90° ON 33" DIA B.C.

TWO NF-22642
CONCEALED
PICKHOLES

1-1/2"

**SANITARY
SEWER**

MACH, DOVETAIL GROOVE
IN LID SEAT FOR 1/4" DIA.
CONTINUOUS POLYISOPRENE
GASKET, 40 DUROMETER



MATERIAL QUALITY: ASTM A48
CLASS 35B FOR GRAY IRON,
NO COATING.

STANDARD FRAME & COVER

REFERENCE: NEENAH
FOUNDRY, CATALOG No. R1642



CADD FILE:

\\standard\details\sewer\s001.dwg

DATE:

2-8-2000

DRAWN BY:

DTN

PAGE: 1

OF: 1

REVISION:

DATE:

BY:
