

PLAN VIEW

TAG NO.	QTY.	DESCRIPTION / REMARKS
A	1	A. C. MILLER CONCRETE PRODUCTS CORP. CONCRETE VAULT 6'-0" x 8'-0" FOR 4" DIA. SERVICE 6'-0" x 10'-0" FOR 6" DIA. AND 8" DIA. SERVICES HS-20 LOADING DESIGN. EXTERIOR SHOP COATED WITH BITUMASTIC WATERPROOFING.
B	1	DETECTOR CHECK VALVE. UL-FM APPROVED, HERSEY MODEL EDC III, EPOXY COATED.
C	3	KENNEDY KEN-SEAL, AWWA C-509 RESILIENT SEATED GATE VALVE, CLASS 125, ANSI B16.1 FLAT FACED FLANGES, OS & Y WITH INTEGRAL HANDWHEEL ACTUATOR.
D	1	SMITH-BLAIR, STYLE 912 CAST IRON FLANGED ADAPTER WITH HIGH STRENGTH STEEL ANCHOR STUDS.
E	1	FIRE DEPARTMENT CONNECTION; 4" RISER WITH TWO(2) 2-1/2" SIAMESE CONNECTIONS; SEE NOTE 4 SHEET 2.
F	1	PENNSYLVANIA INSERT CORP. 30" x 30" SINGLE LEAF ALUMINUM ACCESS HATCH, 300 LBS./S.F. LOADING DESIGN, WITH PENTAGONAL HEAD BOLT LOCK.
G	2	DUCTILE IRON FLG x PE WALL PIPE WITH INTEGRAL COLLAR.
H	1	GRINNELL MODEL F512 WAFER CHECK VALVE, 4" DIA; SEE SECTION X-X, SHEET 2
I	1	DETECTOR CHECK VALVE TRIM, SEE NOTE 10, SHEET 2.

FOR 3/4", 1", 1-1/2" AND 2"  
DOMESTIC SERVICES

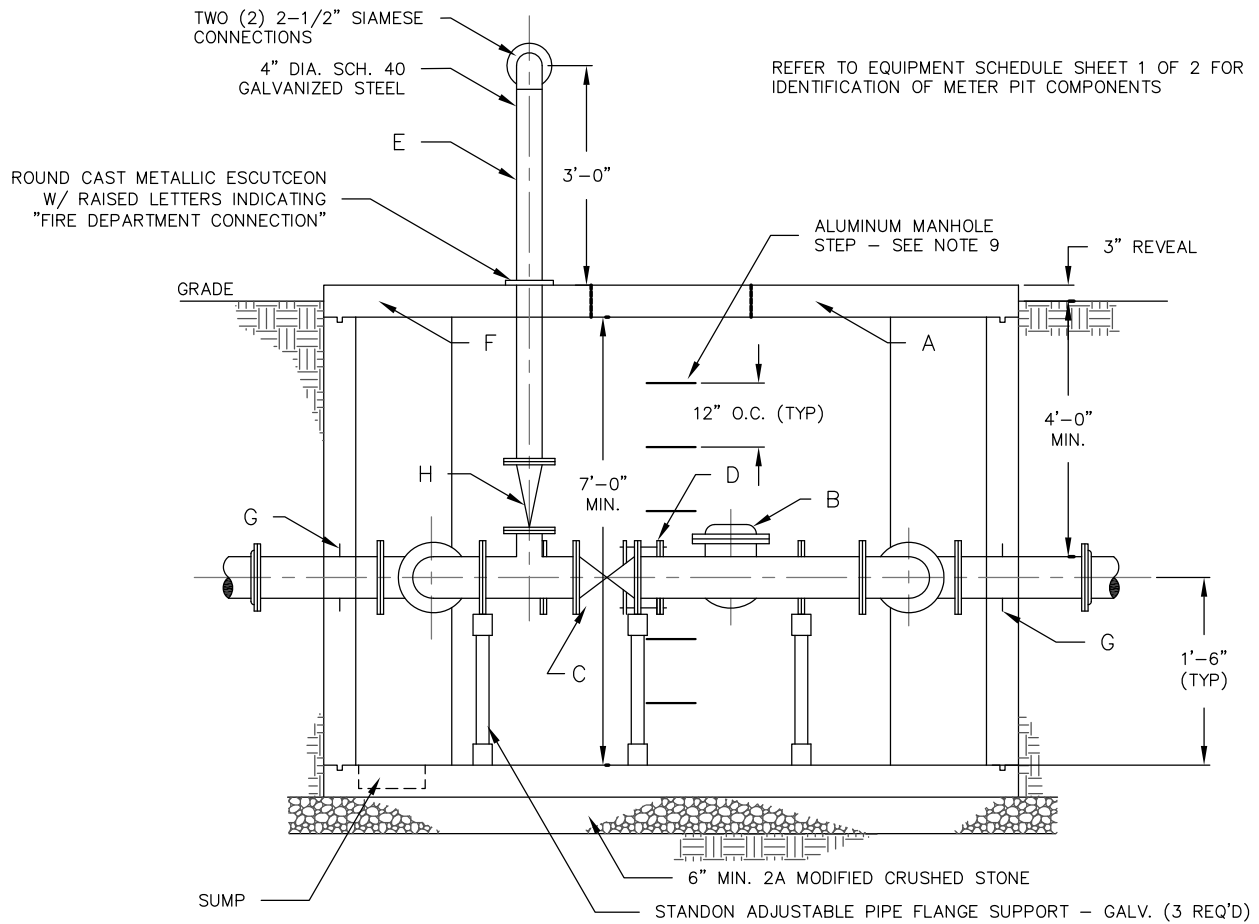
TAG NO.	QTY.	DESCRIPTION / REMARKS
J	1	SMITH BLAIR STYLE 313 SERVICE SADDLE
K	2	COPPER TEE (SOLDER)
L	2	COPPER 90° ELBOW (SOLDER)
M	2	BRONZE BALL VALVE (SOLDER)
N	1	MALE ADAPTER (SOLDER)
O	1	COPPER UNION (SOLDER & SCREWED)
P	1	FORD BALL VALVE W/ LOCKING DEVICE (PROVIDED BY WMA)
Q	1	ZURN DOUBLE CHECK VALVE ASSEMBLY - MODEL 350 W/2 BALL VALVES. SIZE AS REQUIRED

NOTES:  
BYPASS WITH POST INDICATOR VALVE IS  
REQUIRED FOR 8" AND 10" SERVICES ONLY.

**WATER METER PIT DETAIL**  
**FIRE PROTECTION AND DOMESTIC SERVICE**  
**TYPICAL FOR 4" AND 6" DIAMETER**  
N.T.S.



CADD FILE: Z: Autocad/Warminster Municipal Authority/Client Details/Details/Water/mp005		
DATE: 6-21-2017	DRAWN BY: DTN	PAGE: 1 OF: 2
REVISION: Added Backflow Preventer	DATE: 10/17/18	BY: JJN



### SECTION X-X

**NOTES:**

1. ALL MATERIALS AND CONSTRUCTION METHODS EMPLOYED SHALL CONFORM TO THE LATEST CONSTRUCTION SPECIFICATIONS OF THE WMA.
2. ALL INTERNAL VAULT PIPING SHALL BE CLASS 53 DIP WITH FLANGED ENDS UNLESS OTHERWISE NOTED. ALL EXTERIOR PIPING SHALL HAVE MECHANICAL JOINT ENDS UNLESS OTHERWISE NOTED.
3. ALL MECHANICAL JOINT CONNECTIONS SHALL BE ADEQUATELY RESTRAINED BY USE OF RODS OR CONCRETE THRUST BLOCKS. CONCRETE THRUST BLOCK DESIGN SHALL CONFORM TO WMA CONSTRUCTION SPECIFICATIONS.
4. FIRE DEPT. CONNECTION SHALL CONSIST OF TWO (2) SIAMESE INLET CONNECTIONS AND 4" RISER ATTACHED DOWNSTREAM OF METER RUN. CONNECTOR TO BE INSTALLED AT AN ELEVATION 3'-0" ABOVE FINISHED SLAB. RISER TO BE FURNISHED WITH 1/2" AUTOMATIC BALL DRIP BEYOND THE CHECK VALVE.
5. LOCATE WATER METER PIT ON CUSTOMERS PROPERTY AS NEAR AS POSSIBLE TO ROADWAY RIGHT-OF-WAY LINE.
6. IF FLOW TEST DATA IS REQUIRED FOR INTERNAL FIRE PROTECTION SYSTEM DESIGN, CONTACT THE WMA AT 215-675-3301 FOR SCHEDULING AND PERFORMING SAME.
7. CONCRETE PENETRATIONS SHALL BE CAST-IN OR MADE BY CORE BORING ONLY, AND SHALL BE CLOSED WITH WITH NON-SHRINK, NON-METALLIC GROUT.
8. ALL FERROUS SURFACES WITHIN THE METER PIT, EXCLUDING EPOXY COATED, GALVANIZED AND STAINLESS STEEL, SHALL BE PAINTED WITH: 1) MAB PLY-TILE 520 EPOXY PRIMER, 2) FINISH COAT OF MAB 520 EPOXY IN SAFETY BLUE. SURFACES WITH BITUMASTIC OR ASPHALT SHOP COATING SHALL BE FIRST COATED WITH ANTI-BLEED SEALER.
9. ALUMINUM MANHOLE STEPS SHALL BE 6060-T6 ALLOY, DROP FRONT SAFETY TREAD AS MANUFACTURED BY ALCOA (NO. 16829), OR EQUAL.
10. TRIM ON DETECTOR CHECK VALVE SHALL CONSIST OF 3/4" TYPE L COPPER WITH SOLDER JOINTS OR THREADED BRASS FITTINGS. VALVES SHALL BE SOLID BRASS BODY WITH THREADED ENDS. WMA WILL SUPPLY 5/8" x 3/4" METER ONLY.
11. WMA WILL SUPPLY DOMESTIC METER AND 5/8" x 3/4" METER FOR FIELD INSTALLATION.
12. INTERNAL DOMESTIC SERVICE PIPING SHALL BE TYPE L COPPER.
13. PROVIDE PVC WALL SLEEVE FOR COPPER PIPE. SEAL WITH OAKUM AND NON-SHRINK GROUT.
14. CONTRACTOR SHALL CONSULT WITH WMA ENGINEER FOR METER SPREAD.
15. BYPASS FOR DOMESTIC METER MAY BE PIPED VERTICALLY ABOVE THE METER.

## FIRE PROTECTION AND DOMESTIC SERVICE TYPICAL FOR 4" AND 6" DIAMETER

N.T.S.



CADD FILE:			
Z: Autocad/Warminster Municipal Authority/Client Details/Details/Water/mp006			
DATE:	DRAWN BY:	PAGE: 2 OF: 2	
6-21-2017	DTN		
REVISION:	DATE:	BY:	
Added Backflow Preventer	10/17/18	JJN	